

# AKUSTICA

## AKU200XEK1 DIGITAL OUTPUT MICROPHONE EVALUATION KIT

### GENERAL DESCRIPTION

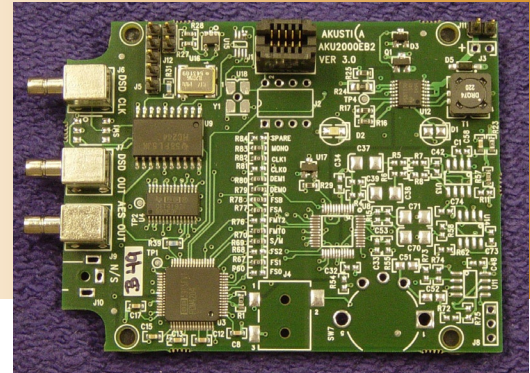
The **AKU200XEK1** is a stand-alone evaluation kit that can be used for both quick and convenient performance verification and portable demonstrations of Akustica's digital-output microphones. The evaluation board that comes in the kit has an on-board oscillator that provides a 2.8224 MHz clock to the digital microphone. In addition, the evaluation board contains a miniature socket for interfacing to the PCB coupons that Akustica digital-output microphone samples are mounted on.

With the option of three data output formats, the evaluation board interfaces easily to a variety of standard audio test equipment. The three output formats supported by the evaluation board are:

- Buffered pulse-density-modulated (PDM) digital output from the digital microphone
- PCM digital output generated by the on-board converter (24-bit sample rate)
- AES3 output for direct connection to an Audio Precision analyzer

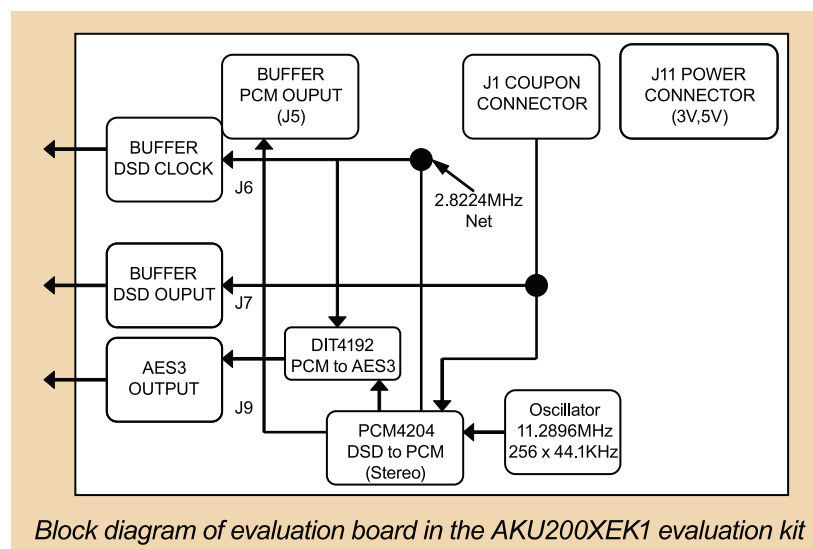
### THE AKU200XEK1 EVALUATION KIT INCLUDES:

- One digital output microphone evaluation board and instructions for use
- Digital microphone samples, mounted on miniature printed circuit board (PCB) coupons for easy interface to the evaluation board
- SMB-BNC connector cable for connecting the evaluation board output to the input of standard audio input equipment
- Digital output microphone datasheet and PCB coupon application note



### The AKU200XEK1 features

- **On-board oscillator providing a standard 2.8224 MHz clock**
- **Multiple outputs for easy testing:**
  - **AES3 Output**
    - Standard test interface for the Audio Precision dual domain audio analyzer
    - Reformat PCM signal to AES3
    - 24-bit resolution with 44.1 kHz sampling
    - SMB jack
  - **PDM Output**
    - Buffered output of digital-output mic
    - Buffered and original clock output
    - SMB jacks for clock and signal out
  - **PCM Output**
    - PCM conversion of PDM signal
    - 24-bit resolution with 44.1kHz sampling rate
    - Pin header interface
- **Easy interface to Akustica digital output microphone samples using coupon connector**



### AKUSTICA, INC.

2835 East Carson Street, Suite 301  
Pittsburgh, PA 15203 USA  
ph: (412) 390-1730 fx: (412) 390-1737

www.akustica.com  
sales: sales@akustica.com